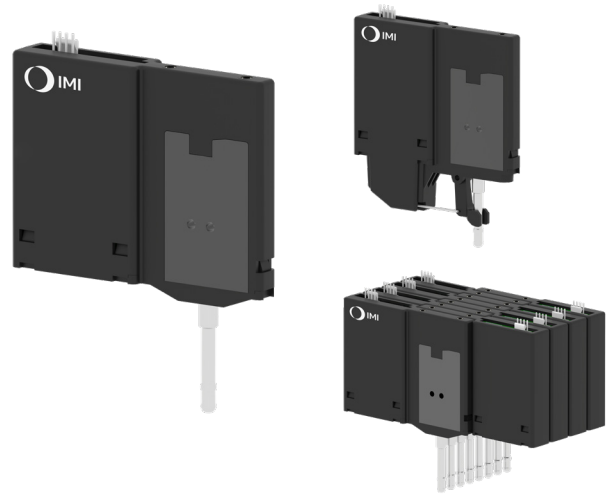


OEM Pipetting Module

- Self-contained pipetting module
- No external pressure source required
- Fully solid-state FAS CHIPSOL solenoid valves and piezoelectric air pump
- Broad dynamic dispense range; μL to mL, handles any tip size
- Closed loop pressure control (tunable PID) enables liquid level, tip, clog and bubble detection
- Multiple pipettors can be mounted with tips on 9 mm centers
- Silent, compact and lightweight



Technical features

Dimensions:
97.2 mm x 16.9 mm x 72.1 mm
(3.83 in x 0.67 in x 2.84 in)

Width at tip mandrel:
8.95 mm (0.35 in)

Weight:
100 g (3.5 oz)

Pressure:
-200 mbar [-2.9 psig]
to 300 mbar [4.4 psig]
Resolution: 0.2 mbar

Time:
Minimum setpoint time: 5 ms
Resolution: 0.2 ms

Precision*:
200 to 1000 μL : < 1% CV
50 to 199 μL : < 2% CV
10 to 49 μL : < 3% CV
5 to 9 μL : < 5% CV
1 to 4 μL : < 10% CV

Power:
24 V d.c. (with peak current 0.5A)

Interface:
Type:
RS-485
Baud Rate:
9600, 38400, or 115200

8 addresses configurable via
DIP switches, 16 addresses
configurable via software

Communications:
Protocol:
ASCII based on Cavo@/data
terminal
Auxiliary I/O:
One digital IN/OUT, one I2C

Electrical connection:
4-pin MTA-100

Optional:
Tip eject

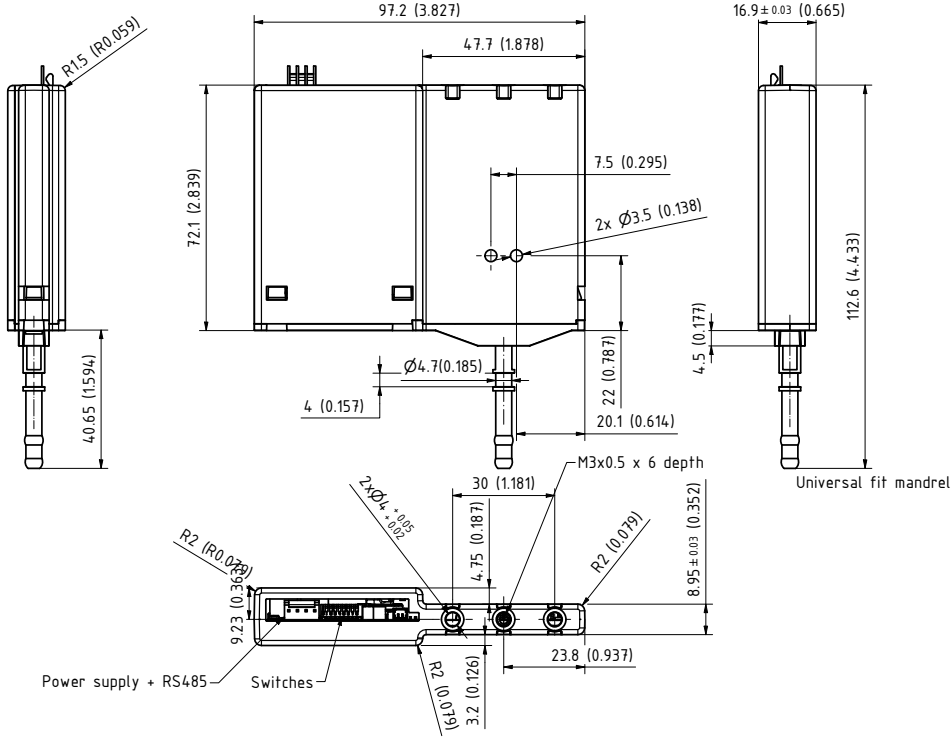
* DI water, 20°C

Technical data – standard models

Part number	Description	Device	Cable	Power supply
INFP110UNS000	Single Channel OEM Pipettor	x		
INFP11TUNS000	Single Channel OEM Pipettor with tip eject	x		
INFP110UNSKIT	Single Channel OEM Pipettor with complete starter kit. Includes: INFP110UNS000, INFP11000SCPS and software	x	x	x
INFP11000SCAB	Connection cable (USB comm & power)		x	
INFP11000SCPS	Connection cable (USB comm & power) + power supply		x	x
INFP18000SCAB	8-channel cable (USB comm & power)		x	
INFP18000SCPS	8-channel cable (USB comm & power) + power supply		x	x

Dimensions

Dimensions in mm [in]
Projection/first angle



Dimensions

Tip eject option

