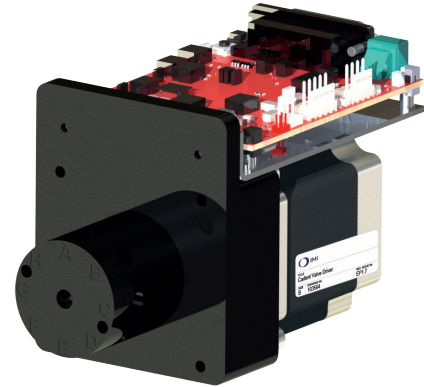


PN 103564 Intellect III Valve Driver

- Programmable fluid directional control
- Designed with the flexibility and versatility to meet a variety of system configurations
- Can be used as a stand-alone controller or integrated into system configurations.
- Wide variety of valve options to meet specific needs
- Capable of simple closed loop control without the need of an external controller
- Non-volatile user program memory and system input/output (I/O)
- Communications are compatible with other Kloehn devices



Technical features

Physical

Height:
3.0" (76.2 mm)

Width:
2.5" (63.5 mm)

Depth:
3.938" (100.0 mm)

Weight:
2.5 lbs (1.13 kg)

Environmental

Operating temperature:
36°F ... 122°F (2° ... 50°C)

Operating humidity:
< 80% RH at 5°C ... 30°C,
< 50% at 31°C ... 50°C

Storage temperature:
-27°F ... 160°F (-33°C ... 71°C)

Mechanical

Operation:
Any orientation

Mounting configuration:
At bottom as well as on
the face plate

Multiple valve choices:
Valve type: 2-way to 12-way

Pressure rating:
100 psi

Driver/Control board:
Fully functional motor drivers and
control electronics

Electrical & Communication

Inputs:
2 Analog/Digital

Outputs:
3 digital outputs

Communication options:
RS232, RS485 and CANbus

Power requirement:
24 V d.c.

Power consumption:
20 Watts max, 5 watts idle

Compliance

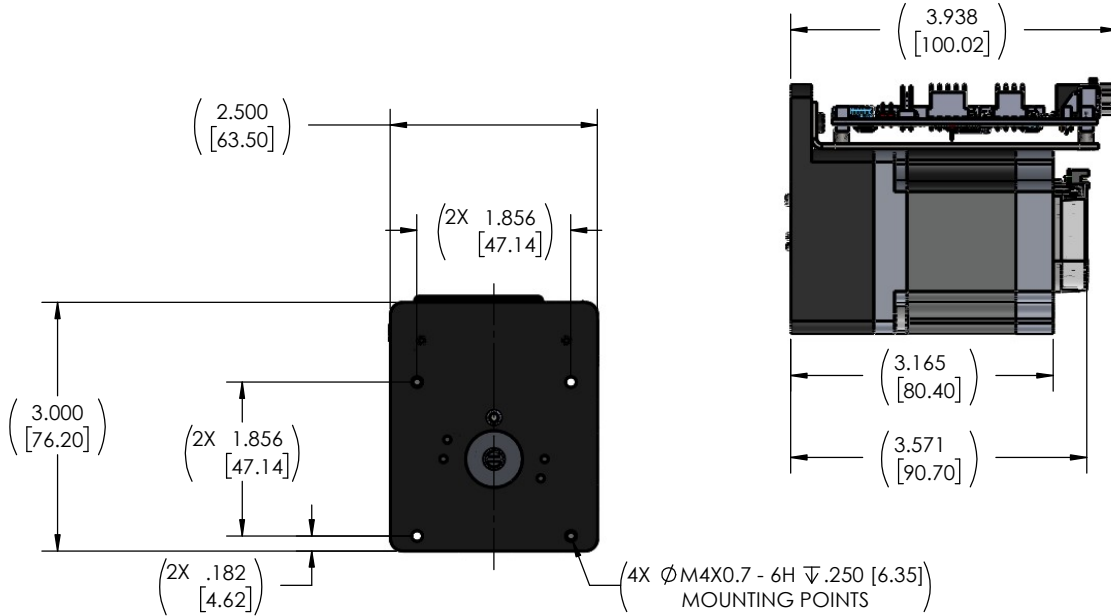
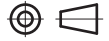
REACH & RoHS Compliant
UL & CE Compliant
CSA Certified
EN 61326-1:2013
BS EN/EN IEC 61326-1:2021
IEC 61326-1:2020

Ancillary items:

Starter Kit	RS-232	RS-485	CANbus
Starter Kit (includes all items listed below)	100904	100905	100906
Power Supply	100907	100907	100907
Power Cable	50603	50603	50603
Communications Cable	100883	100884	100885
USB Communications Adapter	28646	100917	100918
Hardware User Manual	101101	101101	101101

Dimensions

Dimensions in inches [mm]
Projection/third angle



Valves

Configuration	Orifice (mm)	Distribution	Non-distribution	Port Thread
3-Way	0,8	20463	18355	1/4-28 UNF
3-Way	0,059	17316	17315	1/4-28 UNF
4-Way	0,8	-	20464	1/4-28 UNF
4-Way	0,059	17318	17317	1/4-28 UNF
5-Way	0,059	17748	17745	1/4-28 UNF
6-Way	0,8	24663	20465	1/4-28 UNF
6-Way	0,059	17320	17319	1/4-28 UNF
8-Way	0,076	19673	-	1/4-28 UNF
8-Way	0,8	20466	20479	1/4-28 UNF
8-Way	0,059	17322	17321	1/4-28 UNF
12-Way	0,040	24493	-	1/4-28 UNF

Valve construction:

Valve wetted surfaces have a PCTFE body insert and PTFE plug.
Port connection is 1/4-28 UNF

Warning

Improper selection, misuse, age or malfunction of components used in systems can cause failure in various modes. The system designer is warned to consider the failure modes of all component parts and to provide adequate safeguards to prevent personal injury or damage to equipment or property in the event of such failure modes.

System designers and end users are cautioned to consult instruction sheets and specifications available from the factory. The system designer/end user is responsible for verifying that all requirements for the application are met.

Proposition 65

These products may contain chemicals known to the state of California to cause cancer, or birth defects, or other reproductive harm.

Warranty

The products described herein are warranted subject to seller's Standard Terms and Condition of Sale, available at seller's website.