

Flow Meters

- In-line, real-time flow rate measurement
- Real-time data logging via USB cable
- Fully adjustable data smoothing
- Compatible with a wide variety of tubing sizes ranging from 1/8-inch to 360 micron capillary
- Can save multiple calibrations for different liquids on-board
- Arrives calibrated for aqueous solutions
- Factory calibration for common fluids is available upon request
- User can calibrate meter



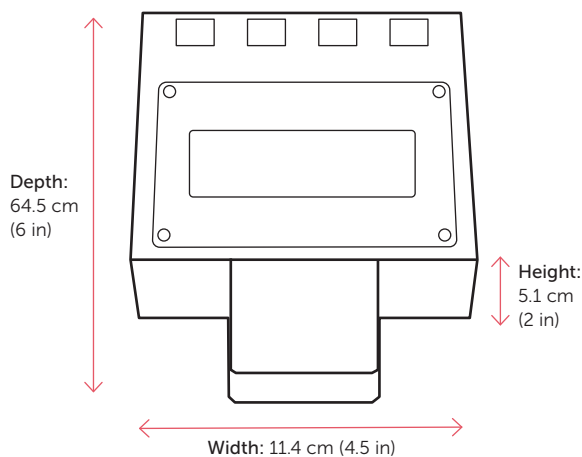
Specifications

	Nano	Micro	Milli	Milli +5
Flow Rate Range	±0–8000 nL/min	±0–120 µL/min	±0–1100 µL/min	±0–5.0 mL/min
Standard Calibrated Flow Rate Range	±90–7000 nL/min	±1–80 µL/min	±30–1000 µL/min	±0.2–5.0 mL/min
Accuracy below full scale (% of full scale)*	0.3%	0.15%	0.2%	0.2%
Repeatability below full scale	0.05%	0.01%	0.02%	0.02%
Flow Detection Response Time	40 msec			
Operating Pressure	200 bar (2,900 psi)	100 bar (1,450 psi)	15 bar (218 psi)	15 bar (218 psi)
Operating Temperature	10 to 50°C (50°F to 122°F)			
Fluid Connector Type	UNF Taper 6-40	UNF ¼-28 Flat Bottom	UNF ¼-28 Flat Bottom	UNF ¼-28 Flat Bottom
Flow Sensor Inner Diameter	150 µm (0.006 in)	430 µm (0.017 in)	1.0 mm (0.04 in)	1.8 mm (0.07 in)
Flow Sensor Internal Volume	1.5 µL	5.1 µL	< 30 µL	< 90 µL

* % of scale, or 5% of measured value (which ever value is larger)

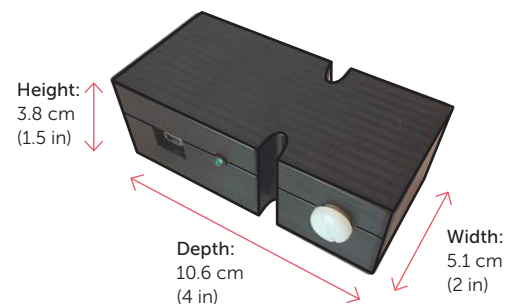
Dimensions

Flow Meter Plus



Flow Meter ECO

Economy version. Same functionality as the Flow Meter Plus but without the display and manual controls. Software control only.



File code: LS_DS_FlowMeters_en/06/24