

→ COMING SOON

Rotary shear valve 6 port, 2 position VD06021SDNAPB0700-2

- Rated to 483 bar (7,000 psi)
- Dynamically alternating between two fluid paths without manually disconnecting plumbing
- High precision position sensing by absolute encoder
- Stepper motor with planetary gearing system
- Saving space and reducing complexity
- High performance and cost effective
- Proven and robust design



Technical features

Type:
 6 port, 2 position switching valve

Pressure rating:
 483 bar (7,000 psi)

Port threads:
 10-32 UNF-2B

Fitting type:
 Cone

Power requirements:
 1.26A 24V

Gear box ratio:
 5:1

Motor specification:
 2 phase, 1.8° step angle

Connector:
 Molex 0151340606

Communication Protocol:
 RS-485

*Available with PCB Step Master

Dimensions:
 Height: 134.9 mm (5.31 in)
 Width: 42.1 mm (1.66 in)
 Depth: 42.1 mm (1.66 in)

Flow passage diameters:
 0.3 mm (0.01 in)

Port to port volume:
 0.3 µL

Stator port volume:
 0.1 µL

Rotor channel volume:
 0.2 µL

Weight:
 0.38 kg (0.84 lbs)

Operating temperature:
 +4 ... +80°C (+39 ... +176°F)

Storage temperature:
 -30 ... +80°C (-86 ... +176°F)

Storage humidity:
 < 95% humidity, non-condensing

Switching time:
 < 0,25s

Wetted materials:
 Stator: Stainless steel
 Rotor: PEEK

Compliance:
 RoHS, REACH

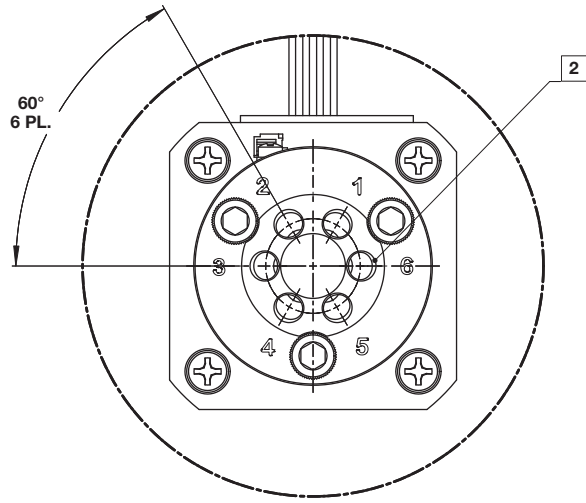
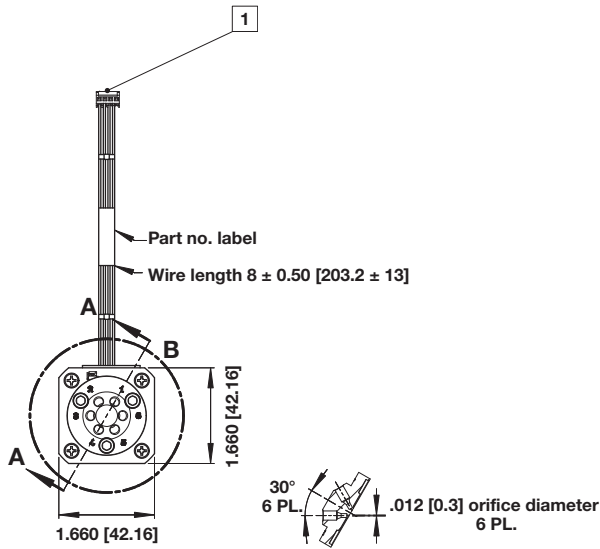
Dimensions

Dimensions in inches [mm]

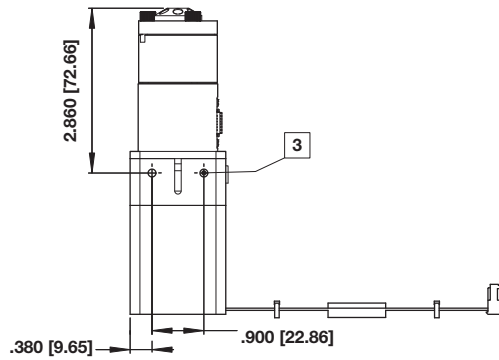
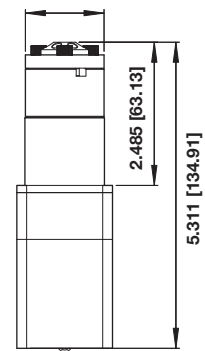
Projection/third angle



Detail B 3:1 Scale



Ø 1.365 [34.67]



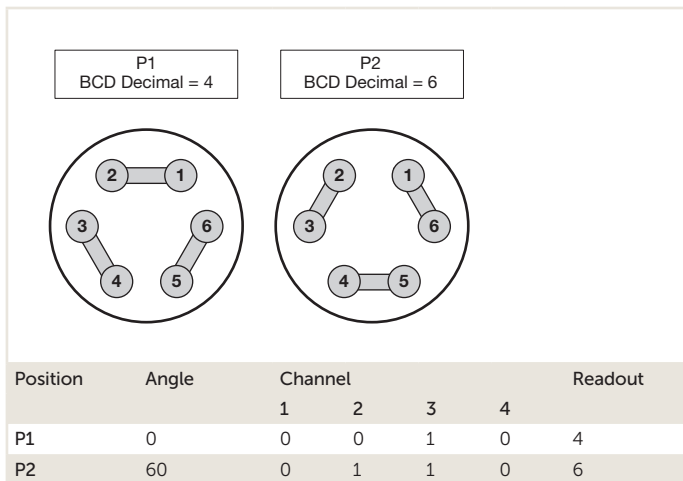
1 TE Connectivity 3-644043-4
MTA100 Connector

- 1. BLACK = A+
- 2. GREEN = A-
- 3. RED = B+
- 4. BLUE = B-

2 #10-32 cone bottom port
W/ .012" [0.3] orifice
6 PL.

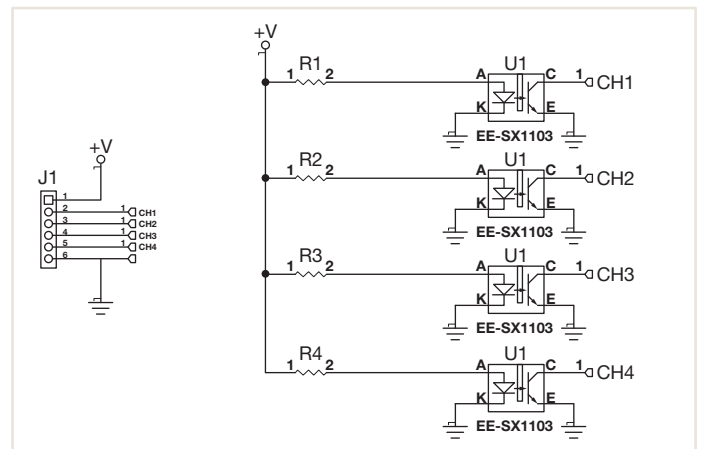
3 Mounting holes:
2x M4 x 0.7 tapped hole $\nabla .20$ [5.1]
Each side

Typical working cycle



1 = BLOCKED,
0 = OPEN

Encoder circuit diagram



Connector

Molex 0151340606

