

10 mm PICOSOL MS

Media separated solenoid valve

- 3/2 UNI
Media separated
Manifold mounting
- Excellent flow to size ratio
- Low internal volume,
excellent cleaning
ability
- Low energy
consumption 3,5/0,4 W
- Patented double rocker
mechanism



Technical features

Medium:

Neutral or aggressive gases
and liquids

Operation:

Direct acting 3-way universal
media separated valve

Operating pressure:

-0,95 ... 2,2 bar (-13,7 ... 32 psi)

Flow:

kv: 0,65 l/min
[16 l/min at $\Delta p = 1$ bar (14,5 psi)]

Mounting:

Manifold

Orifice:

1,2 mm

Life expectancy:

≥ 10 Mio. cycles

Weight:

15 g (0,03 lbs)

Ambient/media temperature:

10 ... +50°C (+50 ... +122°F)
Air supply must be dry enough
to avoid ice formation at
temperatures below +2°C (+35°F).

Materials:

Body in contact with media: PEEK
Seal and diaphragm material in
contact with media:
FFPM, EPDM

Electrical details

Voltage tolerance	$\pm 10\%$
Voltage	24 V d.c./>60 ms
Power consumption	3,5/0,4 W
Electrical insulation	500 V a.c.
Protection class	IP51
Insulation class	F (155°C)
Cycle rate	<4 Hz
Integrated pulse width modulation (PWM)	
Larger input voltage tolerances	
Improved boosting by plunger detection	
Reverse polarity protection	

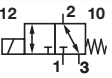
Following options on request

Orifice size
Operating pressure
Medium temperature
Ambient temperature
Response time
Power consumption
Materials
Coils
Manual override

Embedded electronics options

Led signalization

Technical data – standard models

Symbol	Operating pressure		Maximum back pressure *1)		kv *2)	Power consumption *3)	Seal/ diaphragm Material	Drawing No.	Model
	(bar)	(psi)	(bar)	(psi)					
	-0,95 ... 2,2	-13,7 ... 32	1,1	15,9	0,65	3,5/0,4	EPDM	1	11-333EF02-B5+2311+BIO
	-0,95 ... 2,2	-13,7 ... 32	1,1	15,9	0,65	3,5/0,4	FFPM	1	11-333EF02-B6+2311+BIO

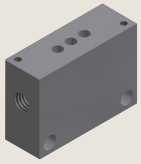
*1) Maximum back pressure during commutation: 50% of operating pressure

*2) Cv = 0,07 kv

*3) Power consumption: „boosting power during approx 50 ms“/ „holding power“

Accessories

Mounting manifold with M5 threads – 1 position



Page 2

On request

Electrical connection

Electrical connector Molex 50-57-9402 with 300 mm flying leads



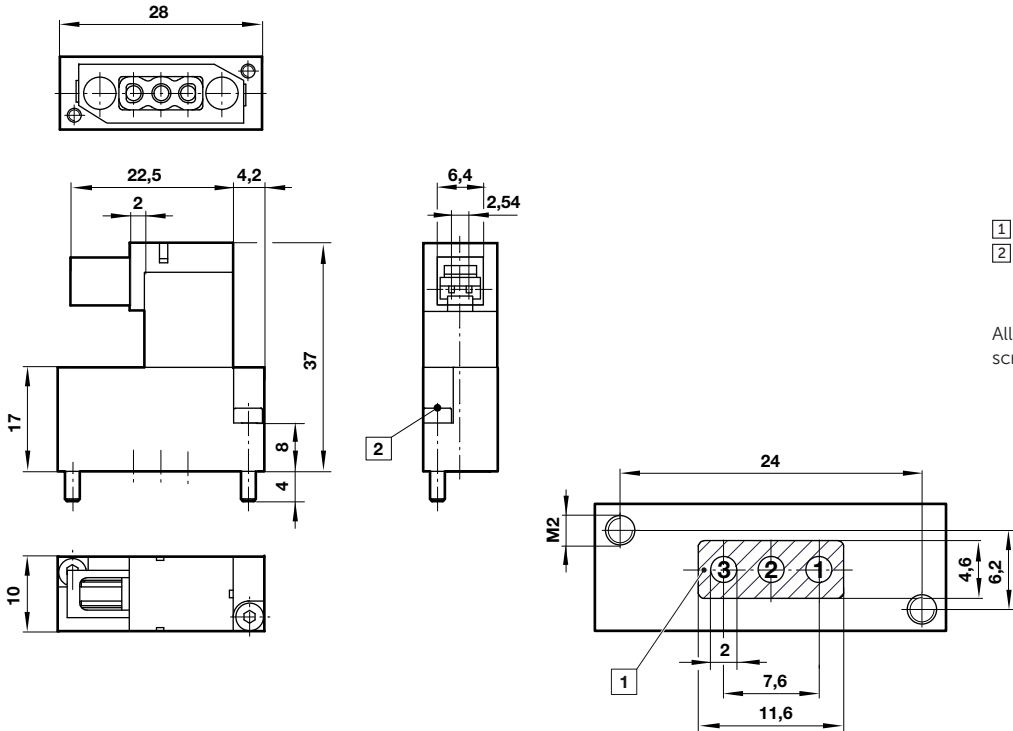
Page 5

S110.1032

Dimensions

①

Dimensions in mm
Projection/first angle

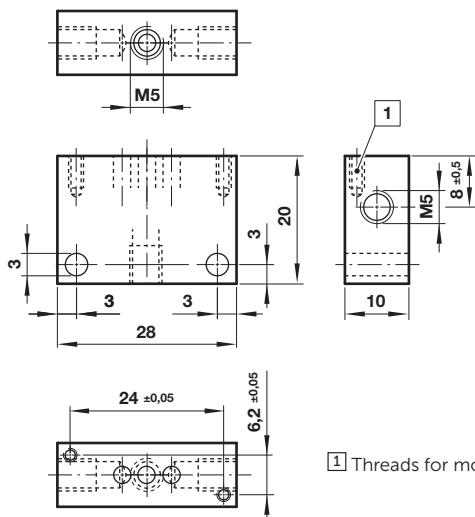


- ① Sealing area
- ② The recommended mounting screw tightening torque is 0,15 + 0,1 Nm.

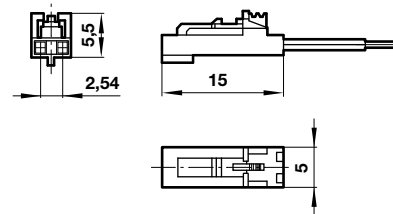
All solenoids are supplied with mounting screws and gasket.

Manifold
Model: On request
(PEEK)

Electrical connector
Model: S110.1032



- ① Threads for mounting screws – M2 x 5 mm deep



Warning

These products are intended for use in neutral or aggressive gases and liquids only. Do not use these products where pressures and temperatures can exceed those listed under »**Technical features**«.

Before using these products with fluids other than those specified, for non-industrial applications, life-support systems, or other applications not within published specifications, consult IMI FAS.

Through misuse, age, or malfunction, components used in fluid power systems can fail in various modes.

The system designer is warned to consider the failure modes of all component parts used in fluid power systems and to provide adequate safeguards to prevent personal injury or damage to equipment in the event of such failure.

System designers must provide a warning to end users in the system instructional manual if protection against a failure mode cannot be adequately provided.